

INSTALLATION INSTRUCTIONS

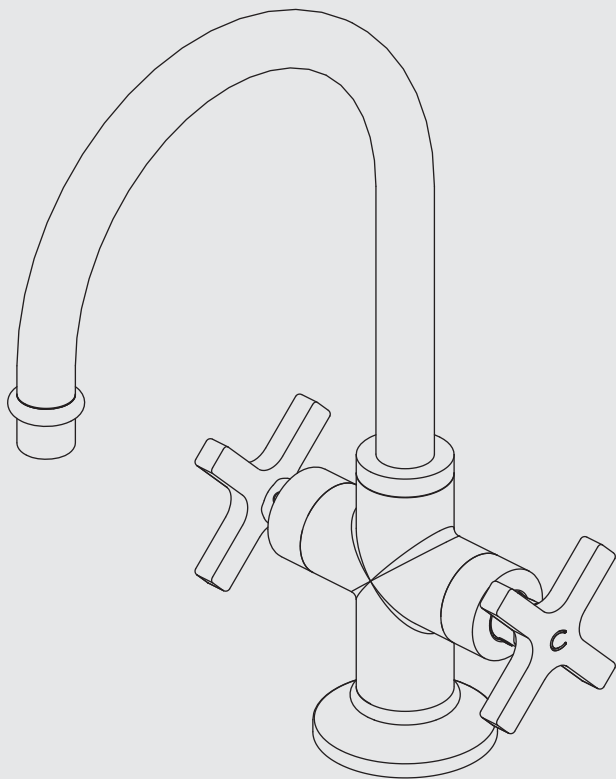
M2-1211

FLEETWOOD CROSS HANDLE MONOBASIN

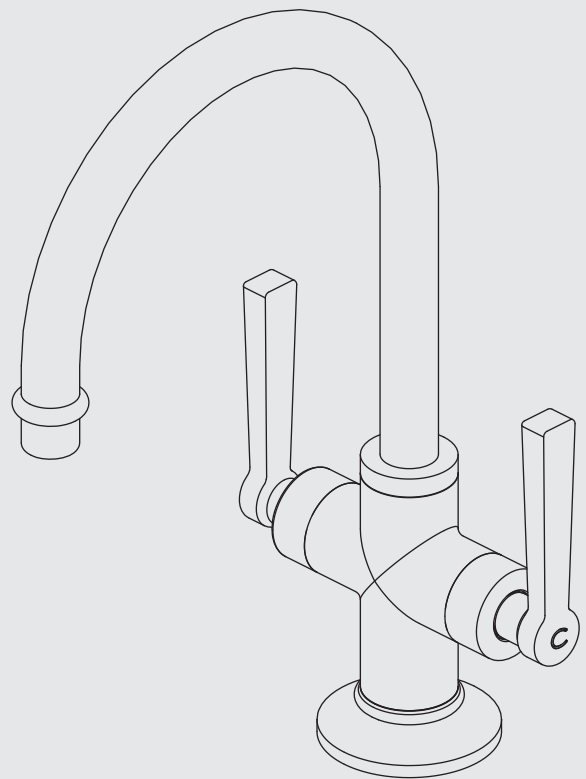
M2-1212

FLEETWOOD LEVER MONOBASIN

M2-1211

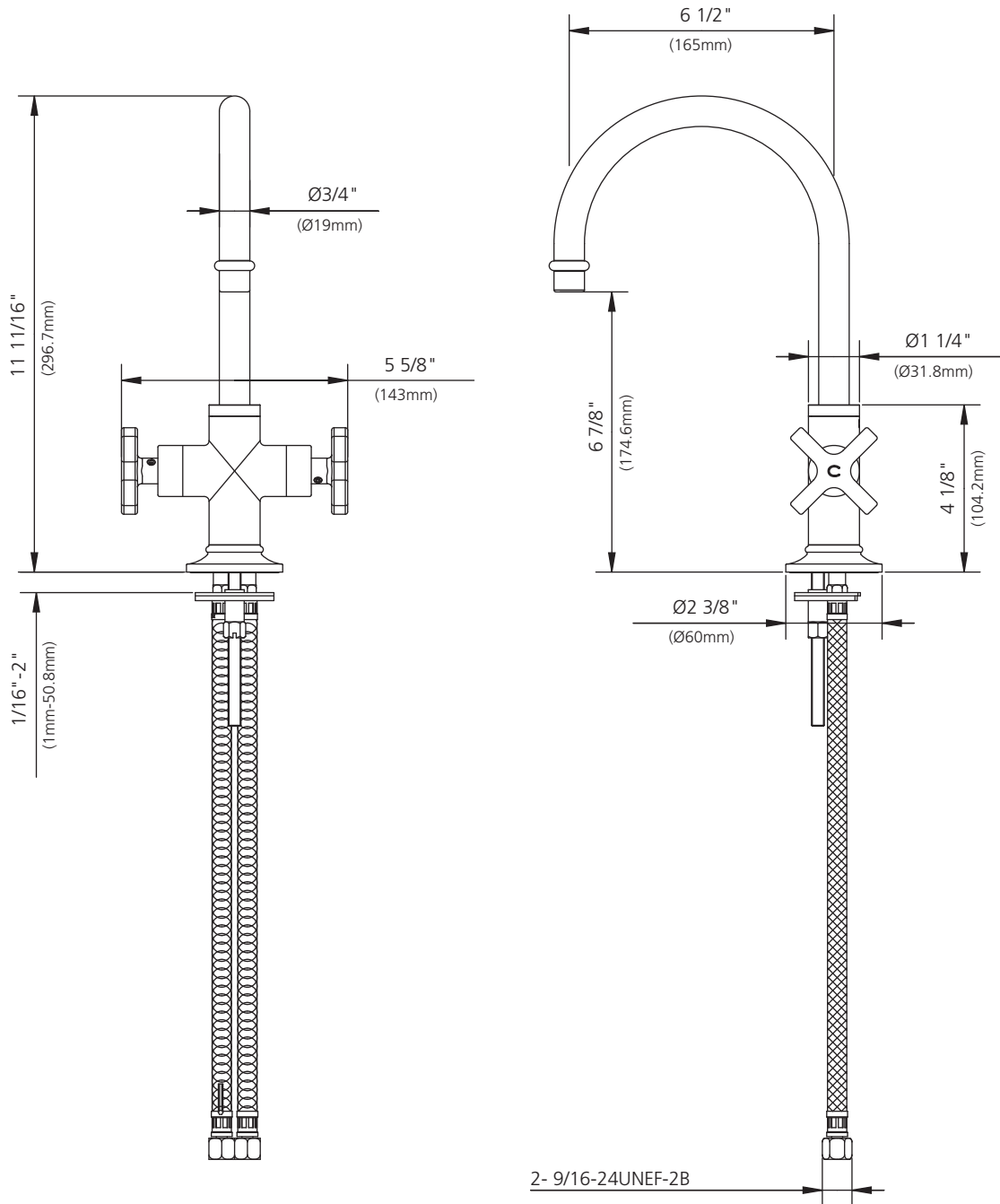


M2-1212



Dimensions in Inches (& Millimetres)

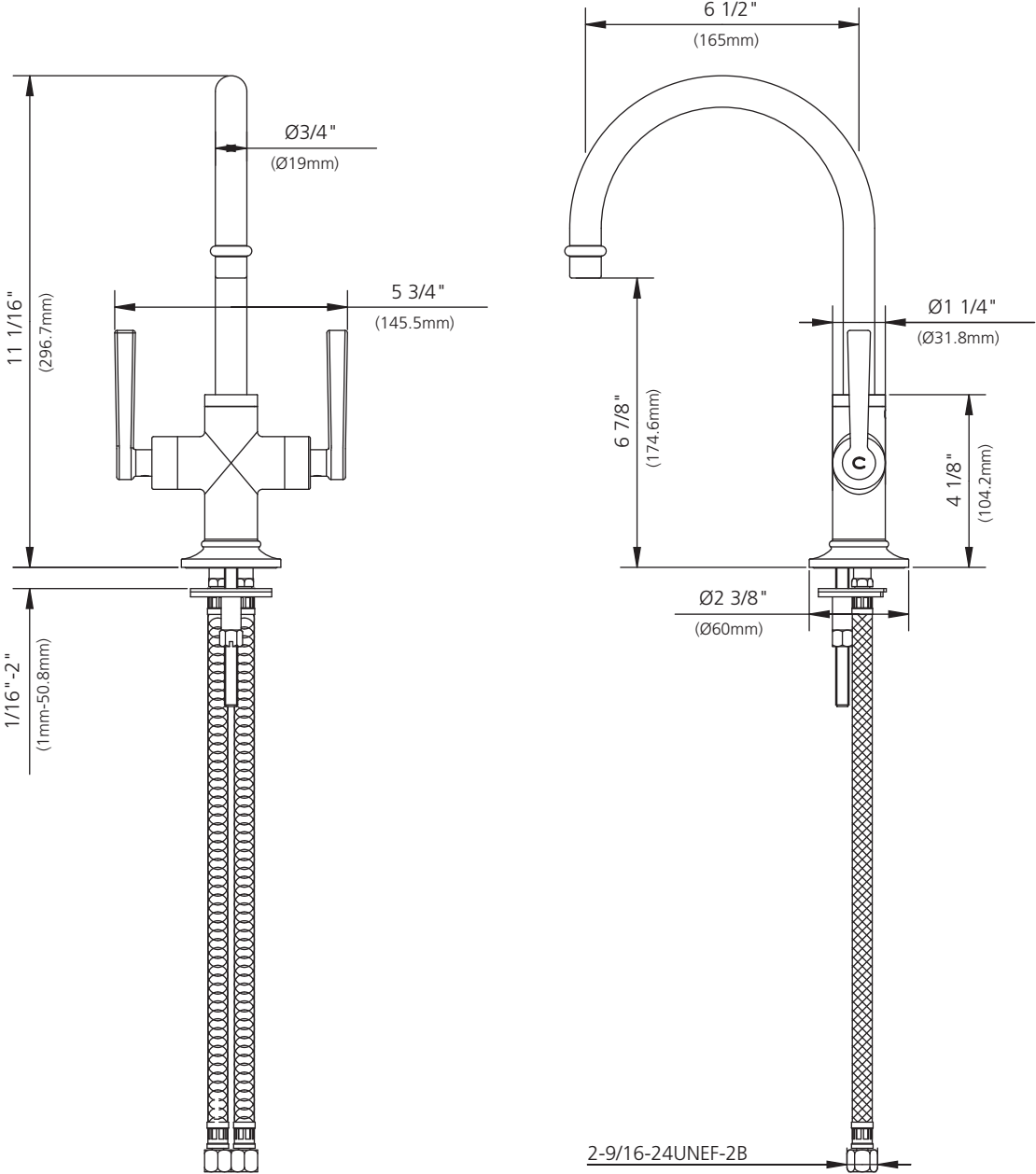
M2-1211



Whilst every effort is made to ensure accuracy, design and dimensions are subject to change without notice as part of the company's product development process.

Dimensions in Inches (& Millimetres)

M2-1212

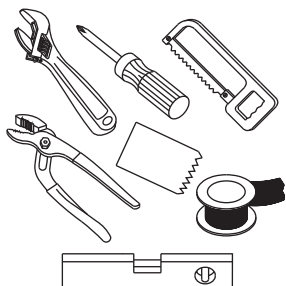


Whilst every effort is made to ensure accuracy, design and dimensions are subject to change without notice as part of the company's product development process.

What you need to know

Tools:

Adjustable Wrench
Groove Joint Pliers
Hacksaw
Phillips Screwdriver
Pipe Tape
Spatula
Spirit Level



Safety Tips

If you are soldering during faucet installation, remove cartridges, seats, gaskets and washers prior to applying flame, otherwise you will void the warranty.

Cover drain openings to avoid losing small parts.

When cutting or soldering pipe, use safety glasses to protect your eyes.

Things You May Need

Correct installation may vary depending on previous faucet installation. All necessary supplies required for faucet installation are not included, but may be found where plumbing supplies are sold. It is suggested that IAPMO and/or CSA approved plumbing supplies are used during installation.

Standards

IAPMO/cUPC Listed (all variants)
Meets NSF 61-9 (all variants)
Meets A112.18.1 (all variants)
ADA Compliant (M2-1212 only)

Please note :

Final achievable flow rate is dependent on the outlets fitted, see relevant outlets (spouts, roses, sprays) for fully assembled product flow rate.

Maintenance

Your new bathroom faucet is designed for years of trouble-free performance.

Keep it looking new by cleaning it periodically with a soft cloth. Avoid abrasive cleaners, wire wool and harsh chemicals as these will dull the finish and void your warranty.

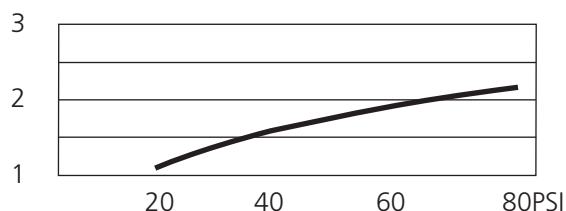
Important Points

Prior to beginning installation, turn off the cold and hot water lines and open the old faucet to release built-up pressure.

Overtightening nuts may cause damage.

Wrap all threaded connections with pipe tape available at your local plumbing supply store. Always wrap in a clockwise direction. The fittings should be installed by a state-licensed plumber.

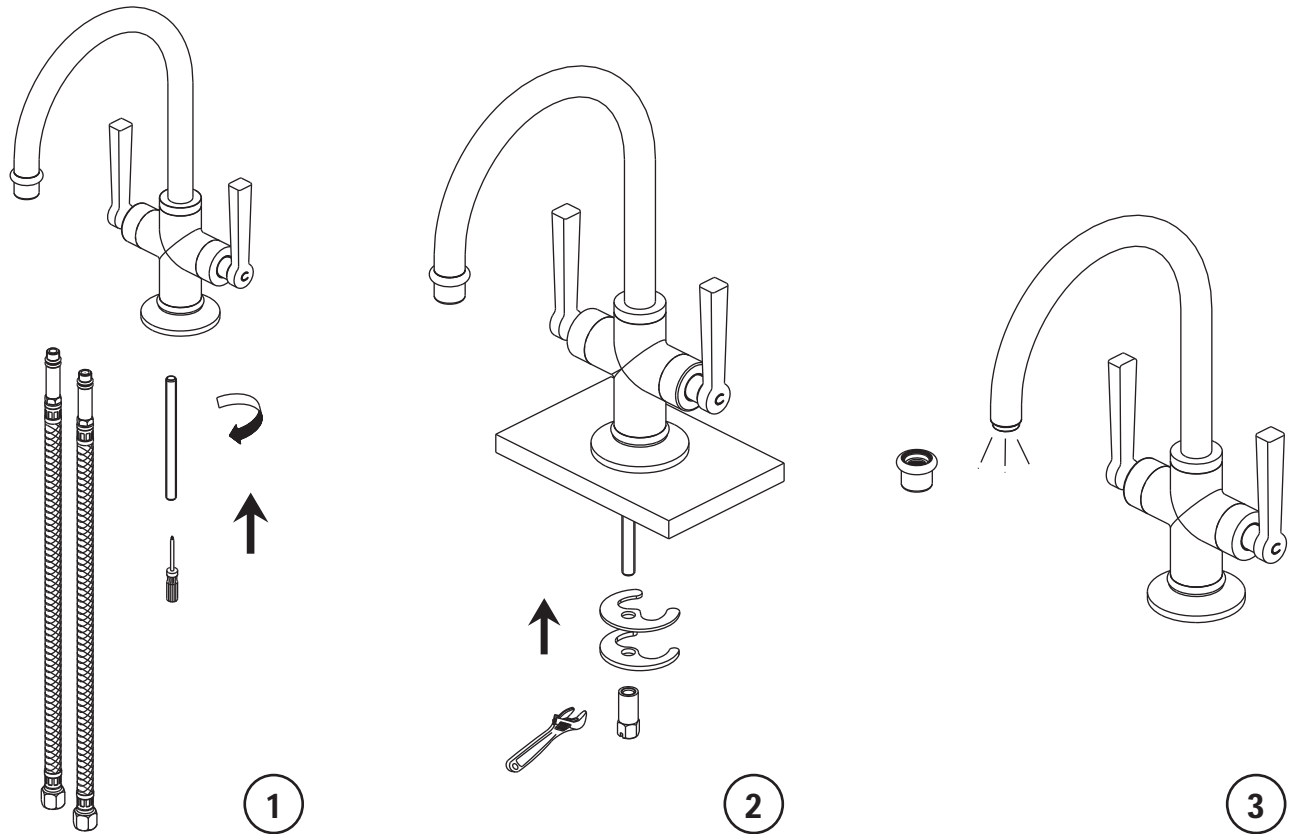
Flow Rate



Steps 1-3

Installation Procedure

Lefroy Brooks always recommends that plumbing products be installed by a licensed professional. Shut off main water supply before installation.



1 Put the base under the bottom of faucet. Attach the fixing bolt and flexible hoses to the faucet.

2 Install faucet through deck hole. From underneath the sink, install the washers and lock nut.

3 After installing faucet, remove aerator and open the hot and cold supplies. Check for leaks. Turn on faucet handle for one minute to flush debris from faucet. Turn off the handle and re-assemble the aerator.

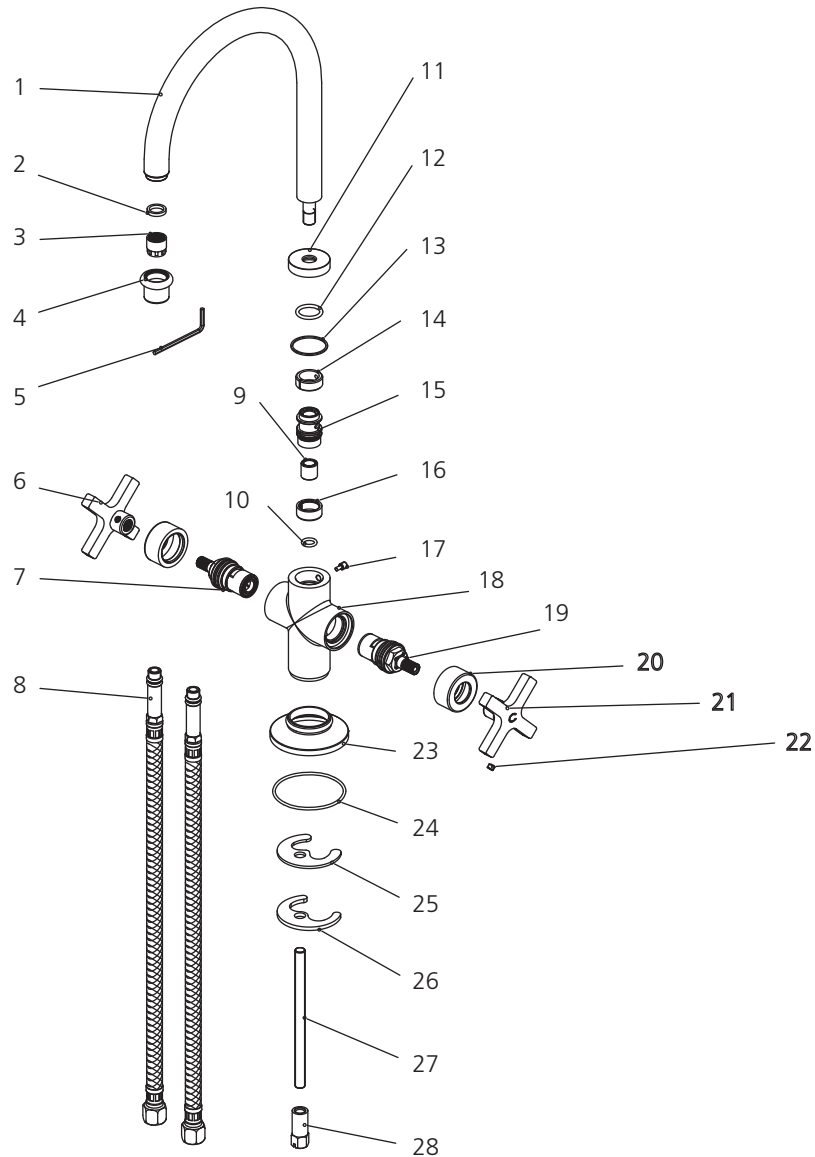
Warning! When installing flexible hose, Please notice:

1. There should be no torsion or deformation
2. Do not fold into a V or L shape.
3. Do not use if there is any crack or deformation.

Exploded View

Parts List

M2-1211

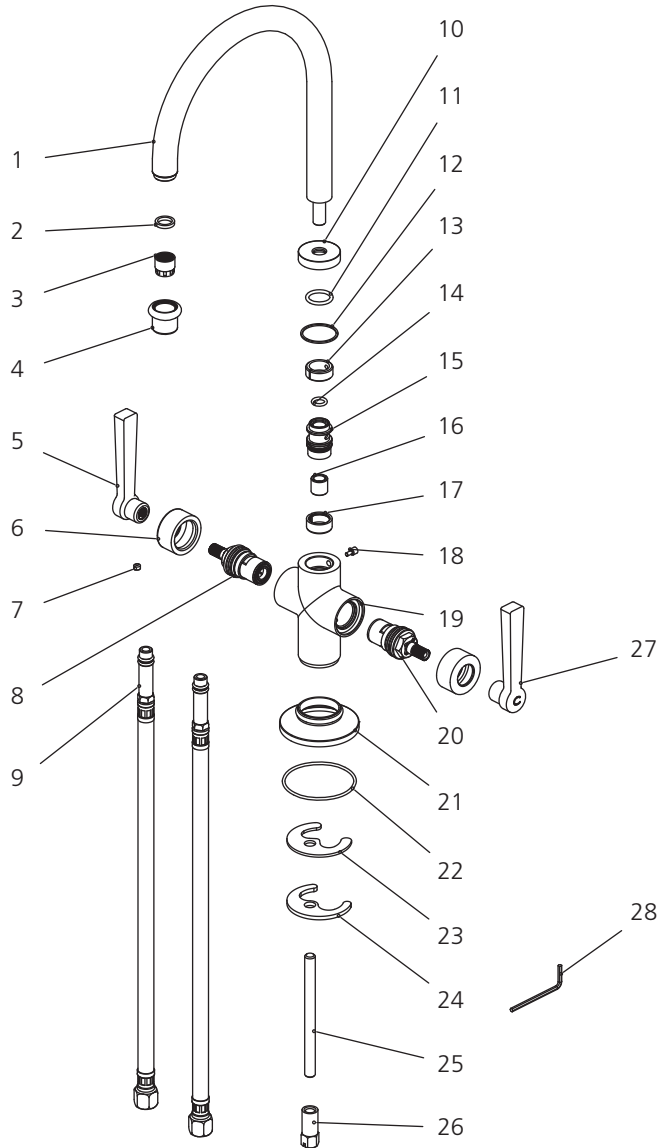


1	Spout (139860W)	11	Collar (000096)	21	Handle (C) (029685C)
2	Oil-seal (010519N)	12	O-ring (004005N)	22	Set screw (292598)
3	Aerator insert (553641N)	13	Plastic ring (200002)	23	Escutcheon (071489)
4	Aerator housing (305849W)	14	Clip (012060)	24	O-ring (004640N)
5	Allen key (031000)	15	Adaptor (067729W)	25	Washer (013039)
6	Handle (H) (029685H)	16	Clip (012112N)	26	Washer (013040)
7	Cartridge (H) (507105W)	17	Screw (008252)	27	Fixing bolt (017868)
8	Flexible hose (105193W)	18	Body (076168W)	28	Nut (054857)
9	Adaptor (067894N)	19	Cartridge (C) (507106W)		
10	O-ring (004031N)	20	Canopy (215516)		

Exploded View

Parts List

M2-1212



1	Spout (139860W)	11	O-ring (004005N)	21	Escutcheon (071489)
2	Oil-seal (010519N)	12	Plastic ring (200002)	22	O-ring (004640N)
3	Aerator insert (553641N)	13	Clip (012060)	23	Washer (013039)
4	Aerator housing (305849W)	14	O-ring (004031N)	24	Washer (013040)
5	Handle (H) (069826H)	15	Adaptor (067729W)	25	Fixing bolt (017139)
6	Canopy (215516)	16	Adaptor (067894N)	26	Nut (054857)
7	Set screw (292598)	17	Clip (012112N)	27	Handle (C) (069826C)
8	Cartridge (H) (507375W)	18	Screw (008252)	28	Allen key (031000)
9	Flexible hose (105193W)	19	Body (076168W)		
10	Collar (000096)	20	Cartridge (C) (507376W)		

For additional assistance or service call

718-302-5292

9am to 5pm EST Monday to Friday



L E F R O Y B R O O K S

www.lefroybrooks.com

LEFROY BROOKS INC, 1828 TROUTMAN STREET, RIDGEWOOD, NY, 11385
TELEPHONE: 718-302-5292. FAX: 718-302-4177

The use of trademarks, product design and artwork is subject to licence or agreement with Christo A. Lefroy Brooks. The design registrations, trademark registrations and copyrights are protected by law and the use or reproduction outside the terms of an agreement is prohibited. The right to modify designs and dimensions is reserved. Christo Lefroy Brooks is a member of ACID (Anti Copying in Design).

©CHRISTO A. LEFROY BROOKS 2009